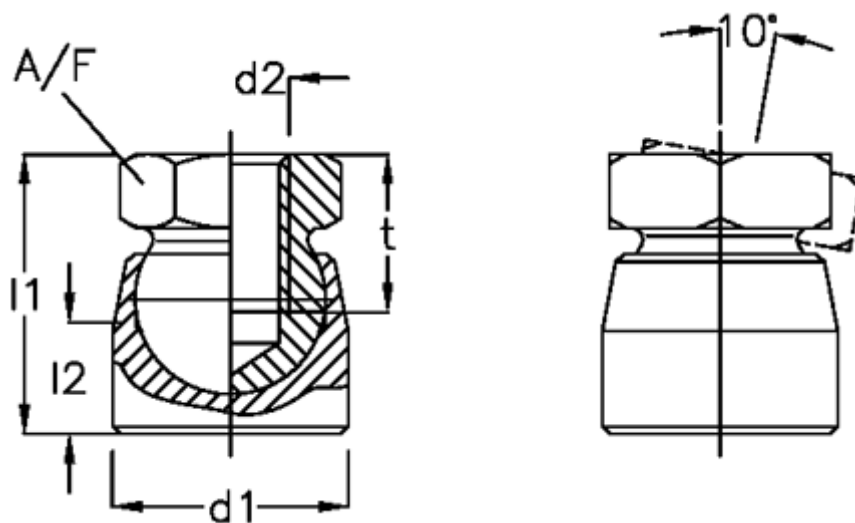


Article number: 20215401

Description: E+G Ball joint thrust pad
GN 346-16-M8

Measures



$d1$	= 16
$d2$	= M8
$l1$	= 19
$l2$	= 7
NV	= 13
Static load (N)	= 5000
t min	= 9